

GENUS PRODUCTS

Matte Boxes
Support Bar Systems
Adaptor Plates
Adaptor Rings & Donuts
French Flags
DSLR Camera Accessories
and more

WARRANTY

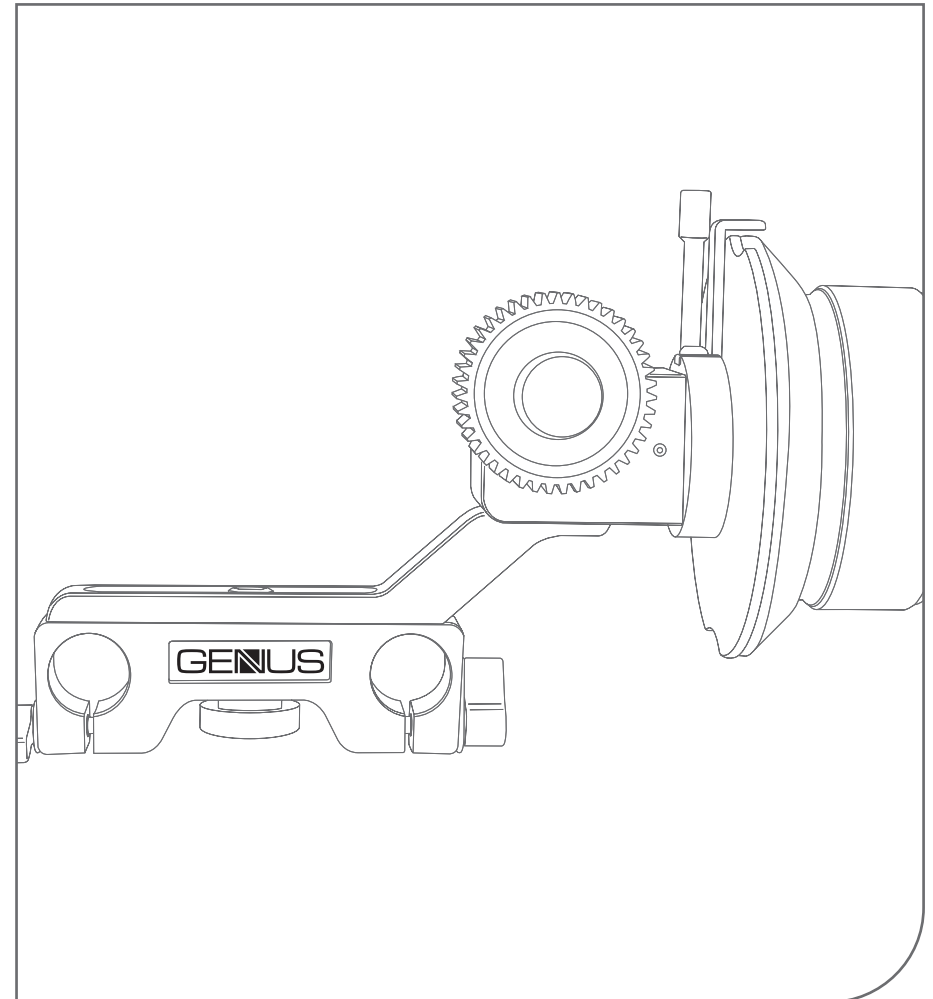
Your Genus Bravo Follow Focus is covered by a one year warranty from the date of purchase.

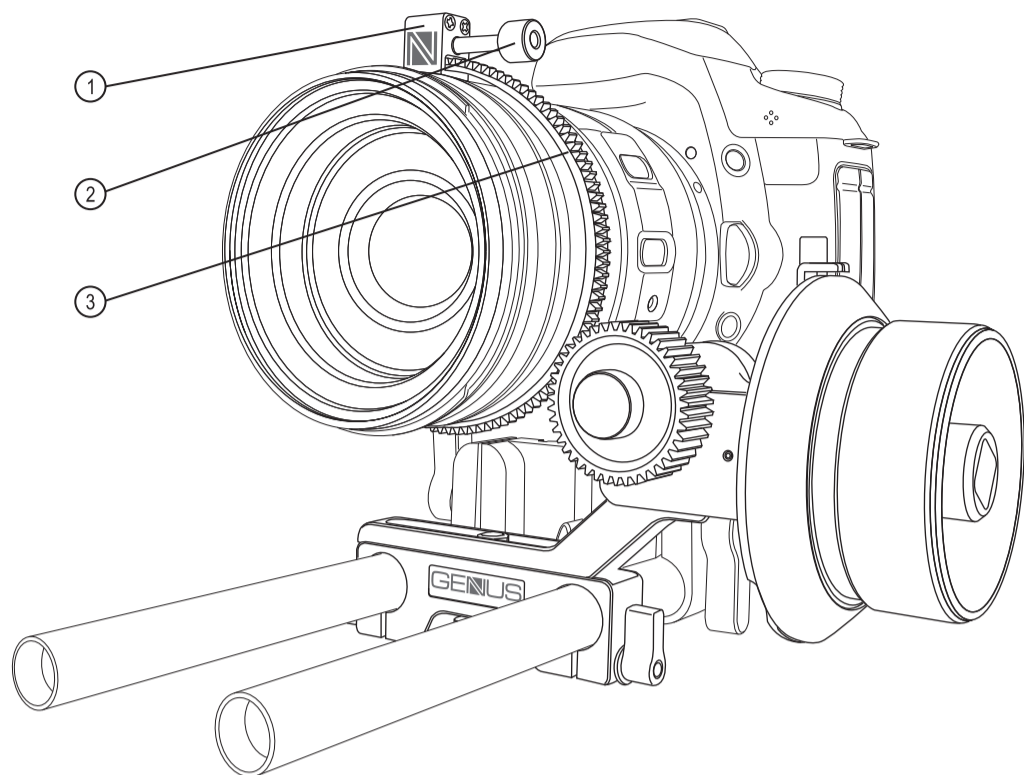
Full terms and conditions of warranty can be found on our website

www.genustech.tv

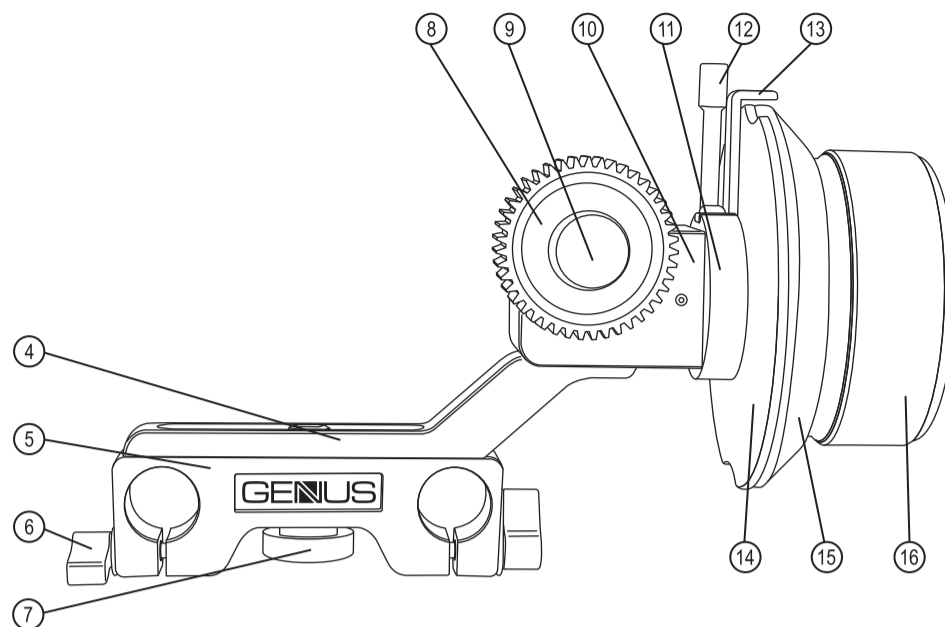
Date of Purchase

Dealer





- 1 Flexible Gear Clip
- 2 Flexible Gear Tension Knob
- 3 Flexible Gear

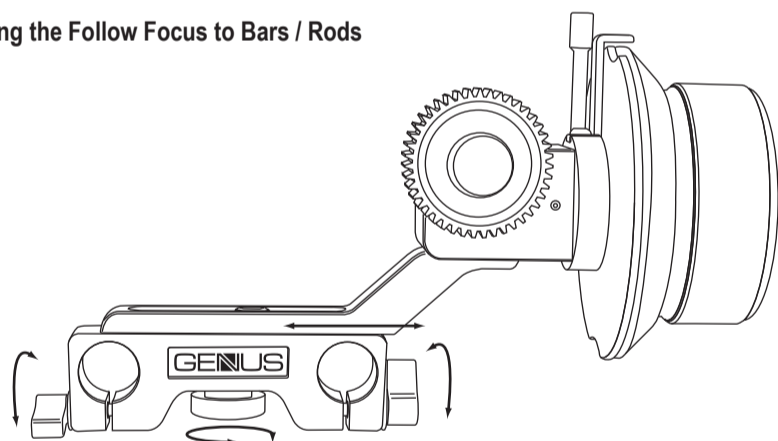


- 4 Sliding Bracket
- 5 Bar Adaptor
- 6 Bar Adaptor Lock Off Knob
- 7 Sliding Bracket Lock Off Knob
- 8 0.8mm Pitch Gear
- 9 Pitch Gear Knob
- 10 Gearbox Assembly

- 11 Focus Gear Drive Assembly
- 12 Marking Disc Indicator Lock Off Knob
- 13 Marking Disc Indicator
- 14 Marking Disc Holder
- 15 Marking Disc
- 16 Focus Gear Drive Control Knob

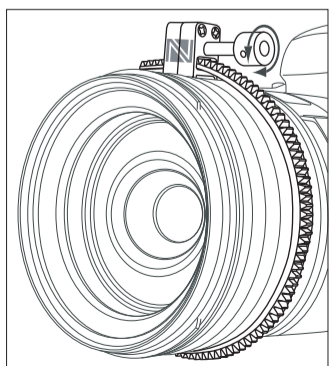
Instructions

Mounting the Follow Focus to Bars / Rods



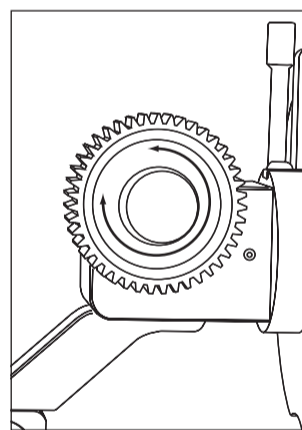
- 1 Your camera should have already been mounted on to an adaptor bar system.
- 2 Loosen the Bar Adaptor Lock Off Knobs on the Follow Focus.
- 3 Loosen the Sliding Bracket Lock Off Knob and pull out the Sliding Bracket.
- 4 With your camera front facing you, slide the Follow Focus onto the rods of your adaptor bar system until it lies under the focus barrel of your lens.
- 5 Adjust the position of the Bar Adaptor so that the Pitch Gear aligns with either the grooves on the focus barrel of your lens or with the teeth of the Lens Gear Ring (if using).
- 6 Tighten the Bar Adaptor Lock Off Knob.
- 7 Push in the Sliding Bracket until the Pitch Gear sits flush with the focus barrel or Lens Gear Ring and the teeth engage with each other. Minor positioning adjustments may have to be made with your adaptor bar system to ensure perfect engagement.
- 8 Lock off the Sliding Bracket Lock Off Knob.

Fitting the Lens Gear Ring (optional accessory for DSLR camera lenses)



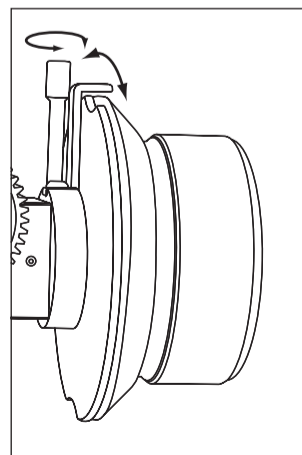
- 1 Loosen the Flexible Gear Ring by turning the Tension Knob anti-clockwise so it will fit around the barrel of your lens.
- 2 Thread the Flexible Gear Ring so it centrally aligns around the focus barrel of your lens.
- 3 Tighten the Flexible Gear Ring by turning the Tension Knob clockwise so it fits snugly around the focus barrel.

Fitting and Reversing the Pitch Gear



- 1 Unscrew the Pitch Gear Knob.
- 2 Align the back of the pitch gear with the drive shaft of the Gearbox and push in until it stops.
- 3 Screw back the Pitch Gear Knob and tighten.
- 4 For short barrelled lenses, you may have to fit the Pitch Gear on the other side of the Gearbox - unscrew the protection knob on the other side of the Gear Box Assembly and switch the pitch gear to other side.

The Marking Disc



- 1 To adjust the Marking Disc Indicator: loosen the Marking Disc Indicator Lock Off Knob, turn the Marking Disc Indicator to the desired position. Tighten the Lock Off Knob.
- 2 Marking Disc can be removed and replaced as required simply by pulling it off from the Marking Disc Holder.

Note: The Marking Disc assists you when adjusting the focus to arrive at the correct point. The mark can be made with a pencil or a NON-permanent marker.