

GENUS PRODUCTS

Matte Boxes
Support Bar Systems
Adaptor Plates
Adaptor Rings & Donuts
French Flags
DSLR Camera Accessories
and more

WARRANTY

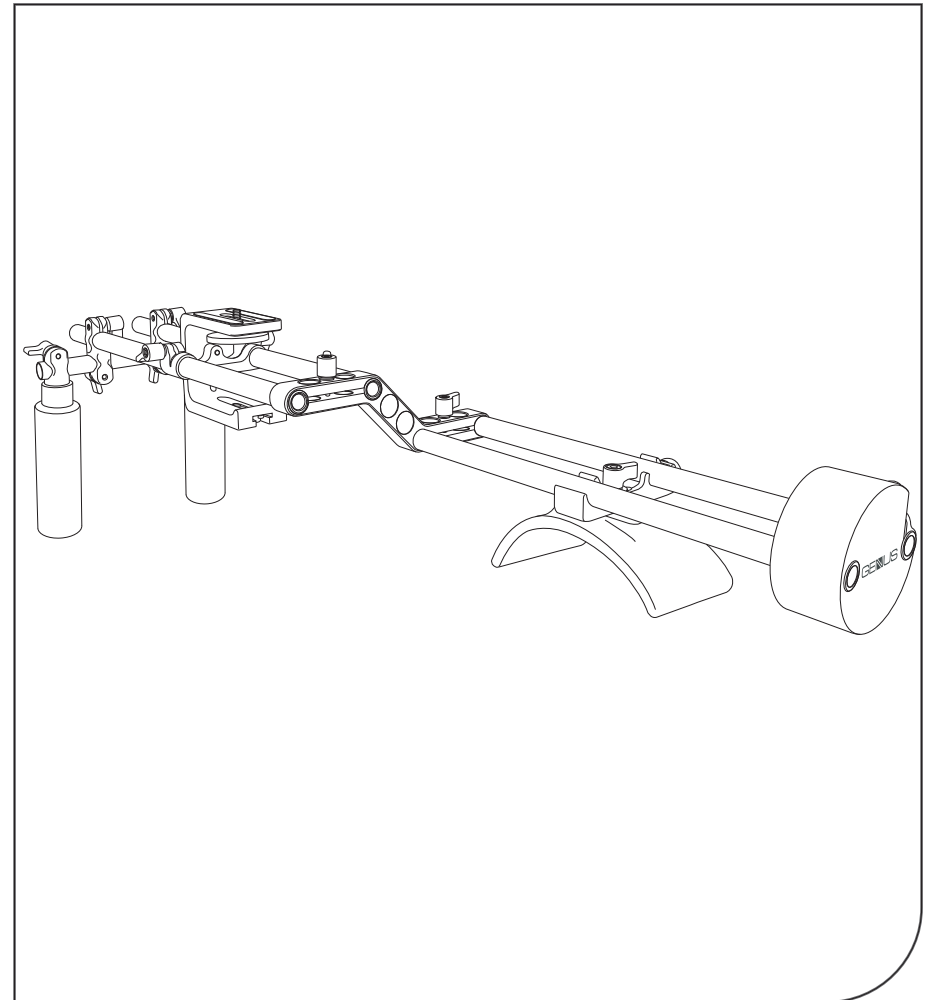
Your Genus Shoulder Mount Kit is covered by a one year warranty from the date of purchase.

Full terms and conditions of warranty can be found on our website

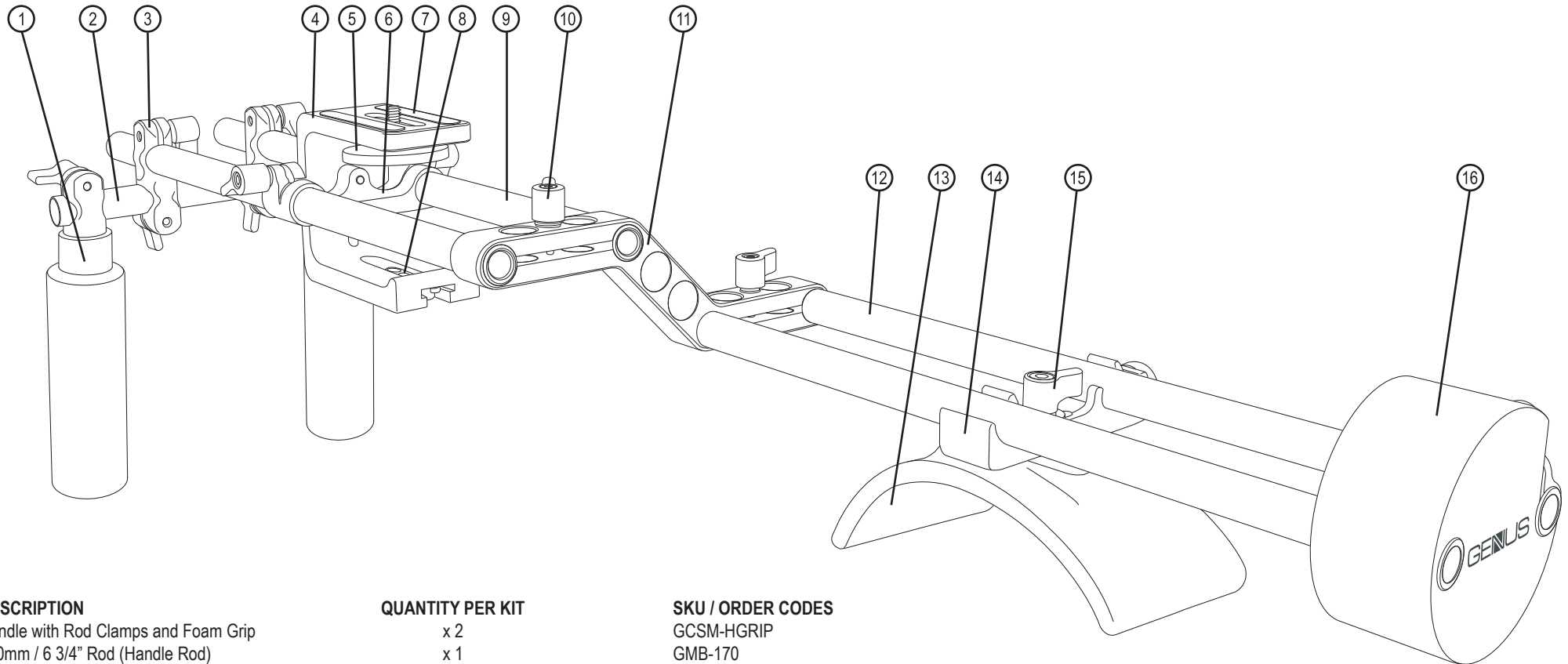
www.genustech.tv

Date of Purchase

Dealer

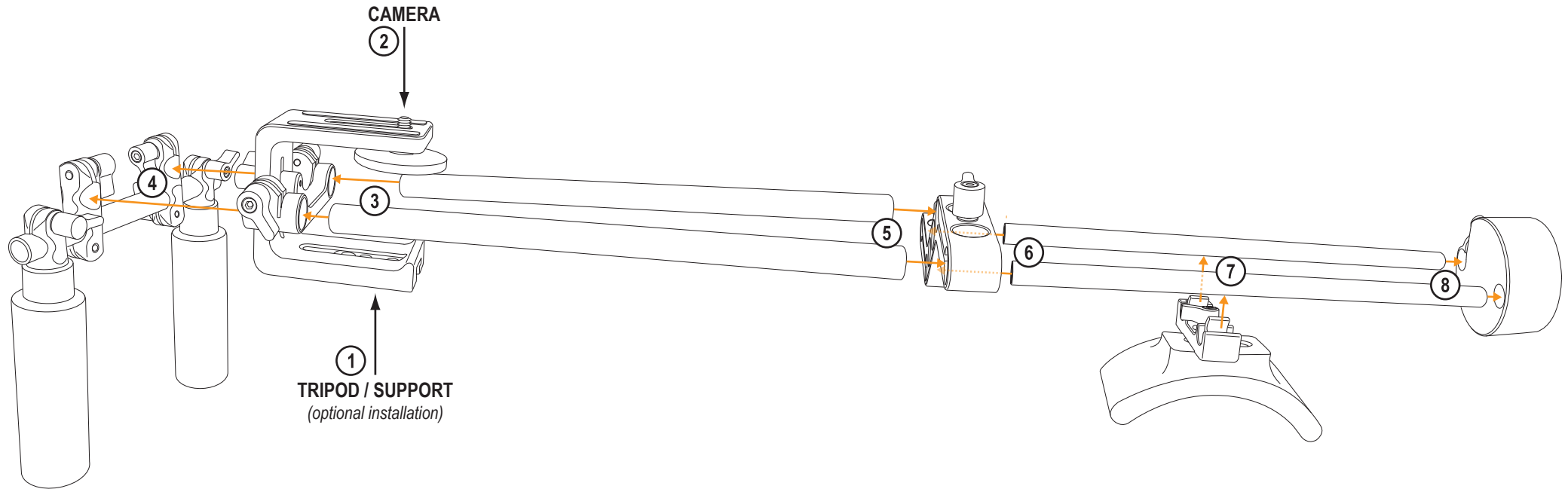


The GCSMK shoulder mount



DESCRIPTION	QUANTITY PER KIT	SKU / ORDER CODES
1 Handle with Rod Clamps and Foam Grip	x 2	GCSM-HGRIP
2 170mm / 6 3/4" Rod (Handle Rod)	x 1	GMB-170
3 Right Angle Bracket Clamps	x 2	GCSM-RAB
4 DLSR Camera C-Mount	x 1	GCSM-MOUNT (items 4,5,6,7 & 8)
5 Camera Screw	x 1	
6 C-Mount Rod Clamp	x 1	
7 Non-Slip Grip Pads	x 2	
8 Tripod Adaptor	x 1	
9 300mm / 12" Rods (Front Rods)	x 2	GMB-300
10 Lock-Off Knobs M4	x 10	GCSM-LOKM4
11 Off-set Bracket	x 1	GCSM-OBKT
12 350mm / 14" Rods (Back Rods)	x 2	GMB-350
13 Shoulder Pad	x 1	GCSM-PAD
14 Universal Clip-On Adaptor with Lock-Off Knob	x 1	GCSM-ADP
15 Lock-Off Knobs 1/4"	x 3	GCSM-LOK1/4
16 Counter-Weight (1344g / 47.41oz)	x 1	GCSM-COUW

Instructions (recommended)*



Assembling the Shoulder Mount (part-assembled from packaging)

- 1 *Optional installation:* Attach your tripod / support to the bottom of the DSLR Camera C-Mount.
- 2 Attach your camera to the top of the DSLR Camera C-Mount with the built-in Camera Screw.
- 3 Thread the two 300mm / 12" Front Rods through the ready-assembled DSLR Camera C-Mount. Slide it down to the middle of the rods. Tighten the Lock-Off Knobs.
- 4 Thread the Front Rods through the Handles / Right Angle Bracket Clamps Assembly. Tighten the Lock-Off Knobs on both of the Right Angle Bracket Clamps.
- 5 Thread the other end of the Front Rods through the top set of holes in the Off-Set Bracket until the end of the rods are flush with back of bracket. Tighten the Lock-Off Knob.
- 6 Thread the two 350mm / 14" Back Rods through the bottom set of holes in the Off-Set Bracket until the front ends of the rods are flush with the front of the bracket. Tighten the Lock-Off Knob.
- 7 Clip on the Shoulder Pad / Clip-On Adaptor onto the Back Rods with the Universal Clip-On Adaptor Lock-Off Knob facing outwards. Tighten the Lock-Off Knob.
- 8 Thread the counter-weight on the rear end of the Back Rods. Adjust the position of the weight on the Rods to find the optimum balance. Tighten the Lock-Off Knob.

* These instructions are the Genus recommended method of assembling your shoulder mount. As the kit is modular, you can build the system to suit your modus operandi.

Fine Adjustment

The positioning of your camera, lens, handles, shoulder pad and counterweight will differ with each individual and also depends on the set up you are using. Fine adjustments may have to be made to achieve the right balance and to make sure the system feels comfortable to you. Below are a few suggestions on adjustments:

- If the Shoulder Mount is back heavy : Slide the Counter-weight forward on the Back Rods
- If the Shoulder Mount is front heavy : Slide the Shoulder Pad backward on the Back Rods
- Camera sits too high or too low on the C-Bracket : Adjust the C-Bracket Rod Clamp by sliding it up or down
- Handles are too far or too close to you : Slide the Handle assembly up or down the Front Rods

Please ensure that all Lock-Off Knobs are fully tightened after final adjustments.

Notes

- If you are using other accessories, i.e. matte box, follow focus etc. on the front of your camera, slide these on in between Steps 3 & 4