

GENUS PRODUCTS

Matte Boxes
Support Bar Systems
Adaptor Plates
Adaptor Rings & Donuts
French Flags
DSLR Camera Accessories
and more

WARRANTY

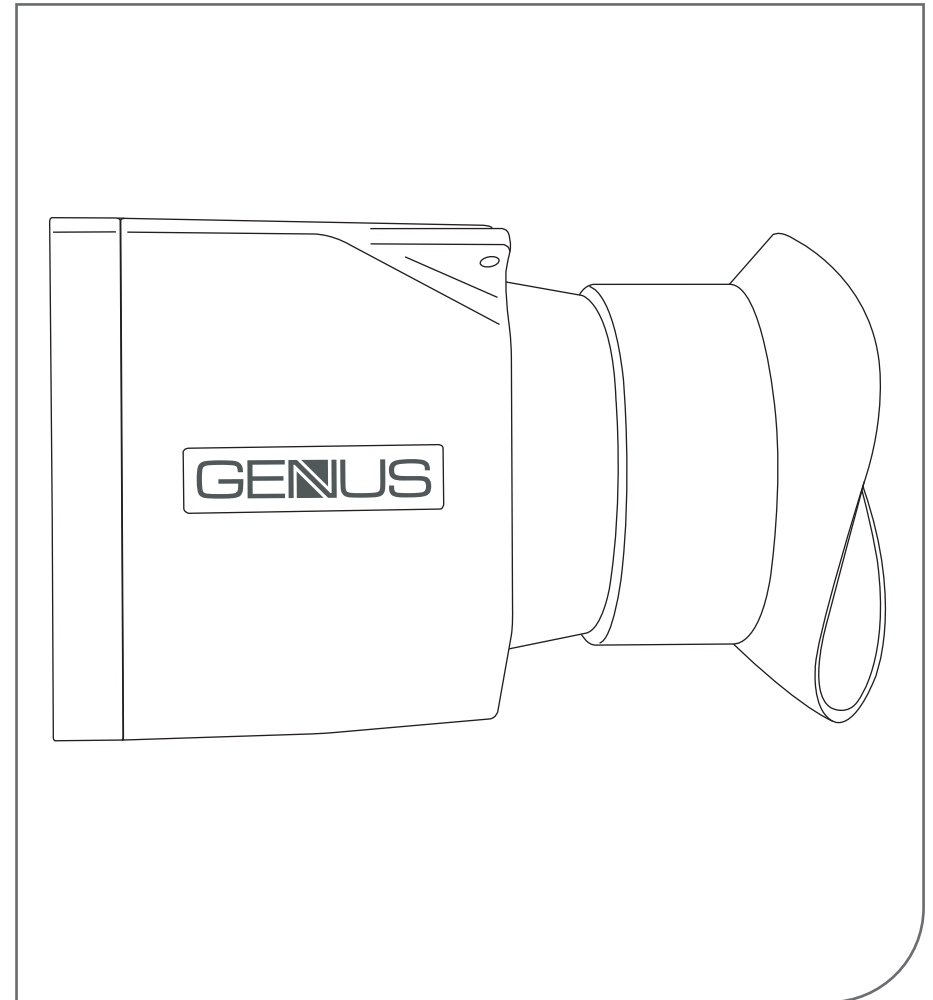
Your Genus Loupe Viewfinder is covered by a one year warranty from the date of purchase.

Full terms and conditions of warranty can be found on our website

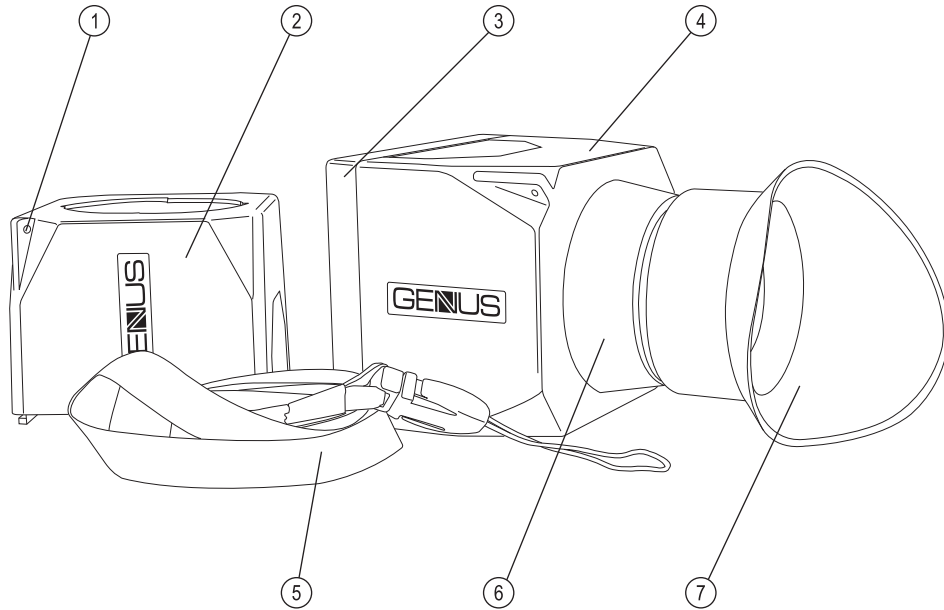
www.genustech.tv

Date of Purchase

Dealer



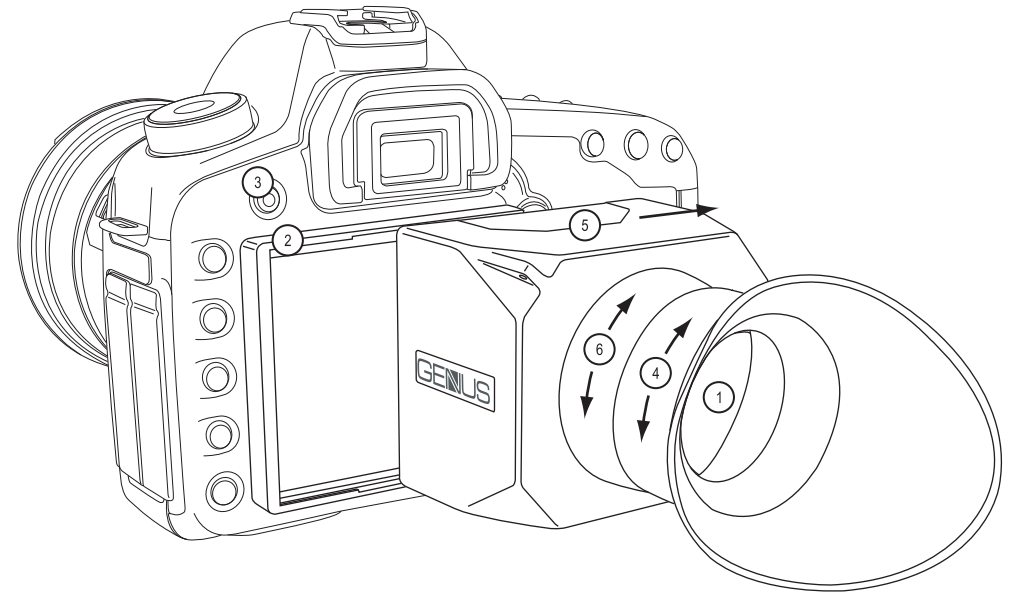
The G-LV loupe viewfinder



- 1 Lanyard Thread Hole
- 2 Clear Viewfinder Hood
- 3 LCD Mounting Frame
- 4 Black Viewfinder Hood

- 5 Lanyard
- 6 Magnifying Loupe Lens
- 7 Removable Rubber Eye Piece

Instructions



Mounting and Using the Loupe Viewfinder

- 1 Peel off the clear protective film on the lens of the Eye Piece (indicated by the colored sticker).
- 2 Peel off the sticky backing around the perimeter of the LCD Mounting Frame. Carefully align the frame with the LCD screen on your camera and firmly press down to adhere.
- 3 Turn on the LCD viewer on your camera.
- 4 Place your eye against the Rubber Eye Piece of the Loupe Viewfinder. Holding onto the tube covering of the Eye Piece, rotate until you get a sharp image off your LCD screen. Alternatively, you may take off the Rubber Eye Piece to adjust sharpness before replacing the Eye Piece.
- 5 The Viewfinder Hood can be detached from the LCD Mounting Frame by gently gripping the non-slip surface on the top and bottom between your thumb and fingers and sliding it to the right.
- 6 To change from Black to Clear* Viewfinder Hoods and vice-versa, firmly grip the Magnifying Loupe Lens barrel and twist counter-clockwise before pulling outwards. To mount the Magnifying Loupe Lens barrel, align the grooves of the barrel against the grooves on the hood, push down and turn clockwise to lock into place.

*The Clear Loupe Viewfinder can also be used to view prints or slides.