

GENUS PRODUCTS

Matte Boxes
Support Bar Systems
Adaptor Plates
Adaptor Rings
French Flags
DSLR Accessories
and more

WARRANTY

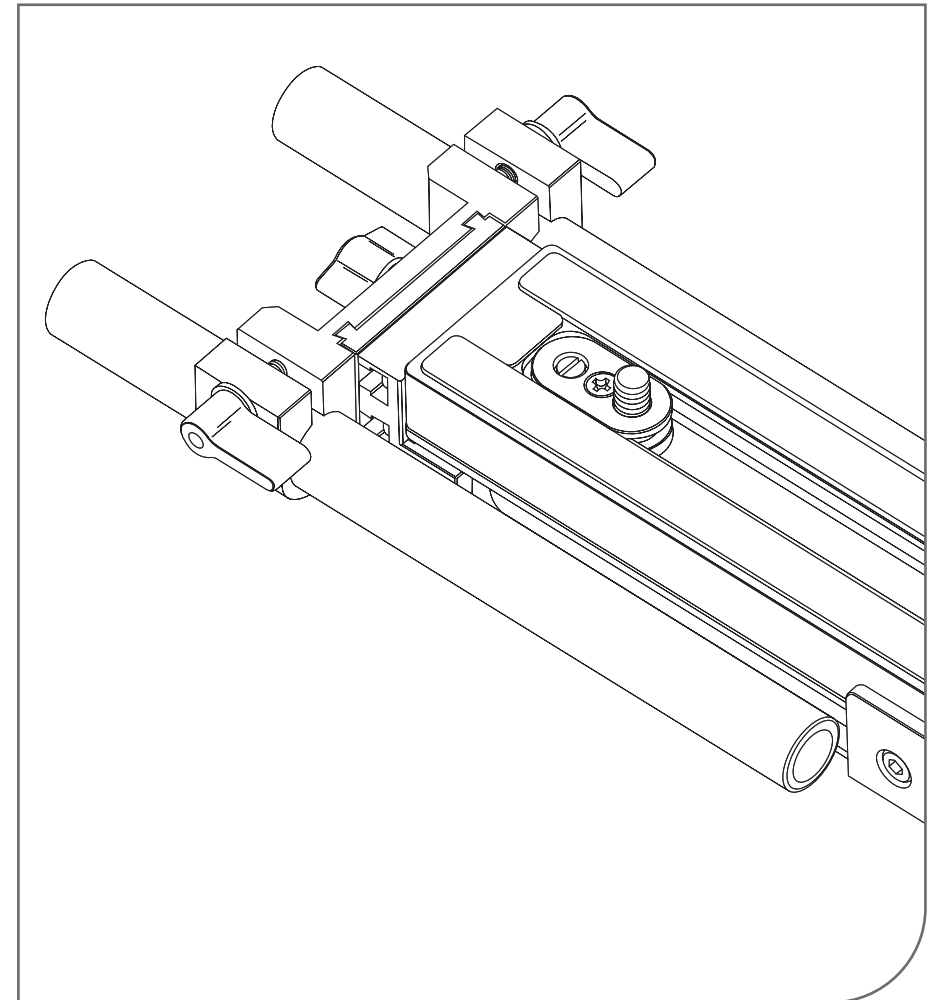
Your Genus Advanced Adaptor Plate is covered by a one year warranty from the date of purchase.

Full terms and conditions of warranty can be found on our website

www.genustech.tv

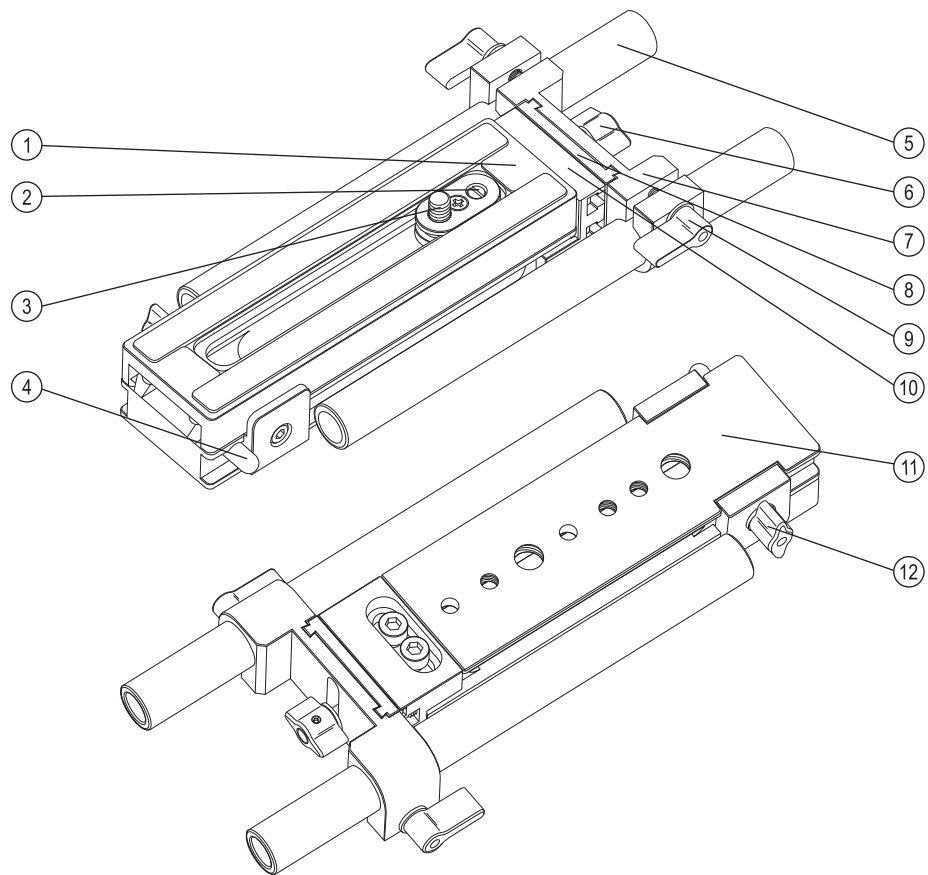
Date of Purchase

Dealer



v.022010

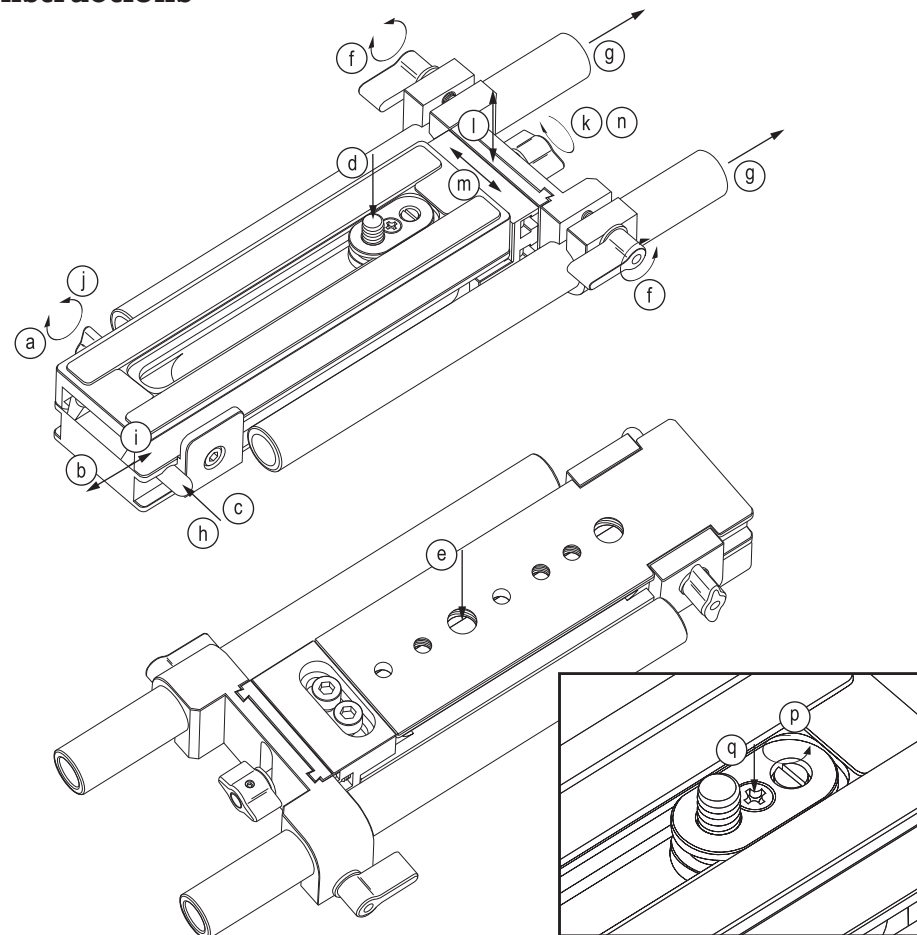
The GMB/A advanced adaptor bar system



- 1 Camera Plate
- 2 Camera Mount Screw
- 3 Locating Pin
- 4 Release Pin
- 5 Support Bars
- 6 Adjustment Brace Knob Screw

- 7 Bar Support Bracket
- 8 Vertical Adjustment Brace
- 9 Support Bar Knob Screws
- 10 Horizontal Adjustment Brace
- 11 Tripod Adaptor Plate
- 12 Camera Plate Knob Screw

Instructions



Inset Picture 1

- 1 Loosen the camera plate knob screw (a) and slide out the camera plate (b). Depress the release pin (c) to free the camera plate.
- 2 Screw the camera plate securely onto your camera / camcorder (d).
- 3 Using the most suitable screw hole, secure the tripod adaptor plate to your tripod (e).
- 4 Loosen the support bar knob screws (f) and slide out the support bars to the maximum extension length (g) then tighten screws to hold bars in place.
- 5 Depress the release pin again (h) and slide the camera plate (i) back on to the tripod adaptor plate and lock off the camera plate knob screw (j).
- 6 Loosen the adjustment brace knob screw (k). Slide your matte box onto the support bars.
- 7 Align your camera lens to the matte box by maneuvering the vertical (l) and horizontal (m) adjustment braces. Once fully aligned, lock off the adjustment brace knob screw (n).
- 8 Inset Picture 1: The locating pin (p) can be raised or hidden by screwing it up or down to accommodate certain DV and still cameras. Alternatively, the camera mount screw slider can be flipped around by undoing the cross-head screw (q).