

### GENUS PRODUCTS

Matte Boxes  
Support Bar Systems  
Adaptor Plates  
Adaptor Rings  
French Flags  
DSLR Camera Accessories  
and more

### WARRANTY

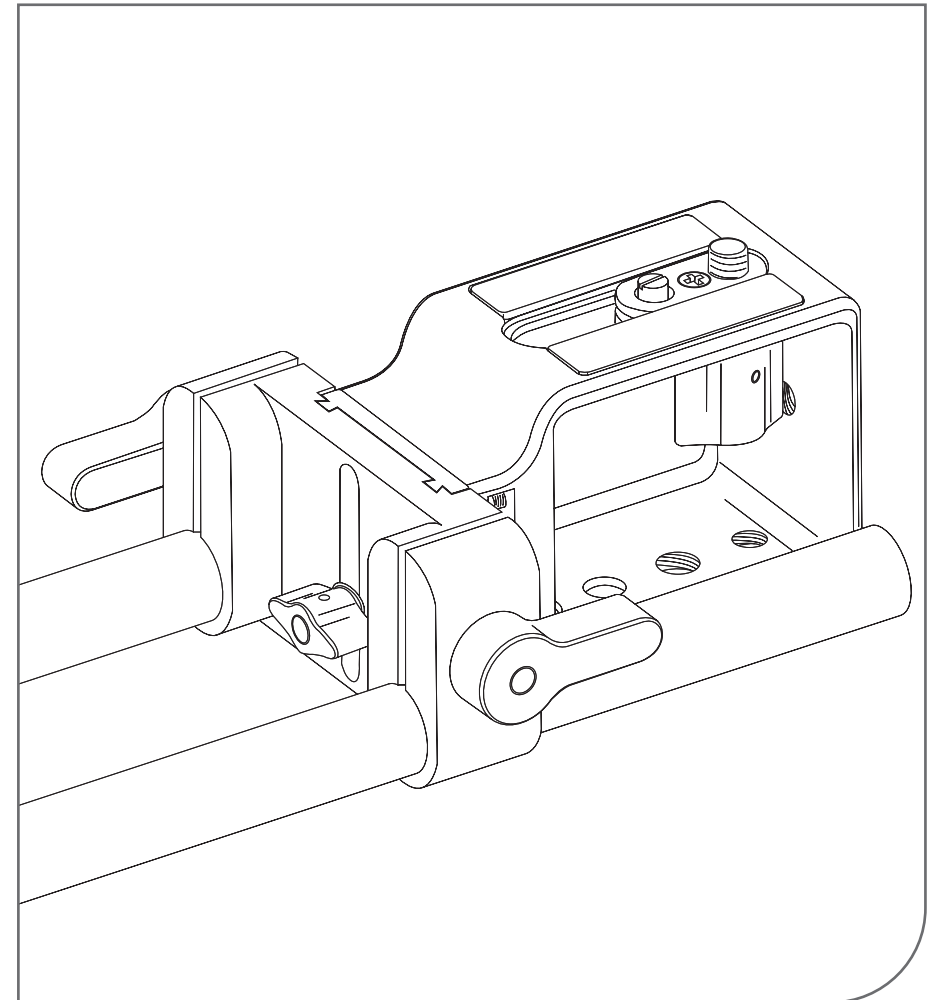
Your Genus DSLR Adaptor Bars System is covered by a one year warranty from the date of purchase.

Full terms and conditions of warranty can be found on our website

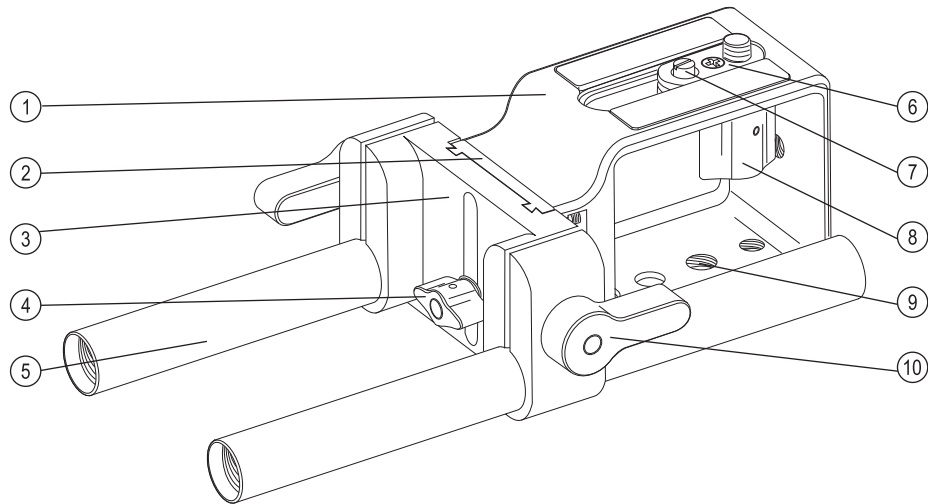
[www.genustech.tv](http://www.genustech.tv)

Date of Purchase

Dealer

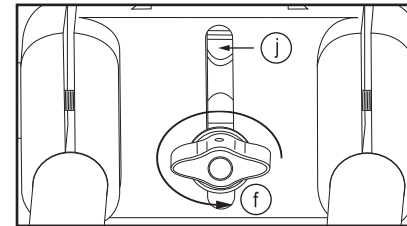
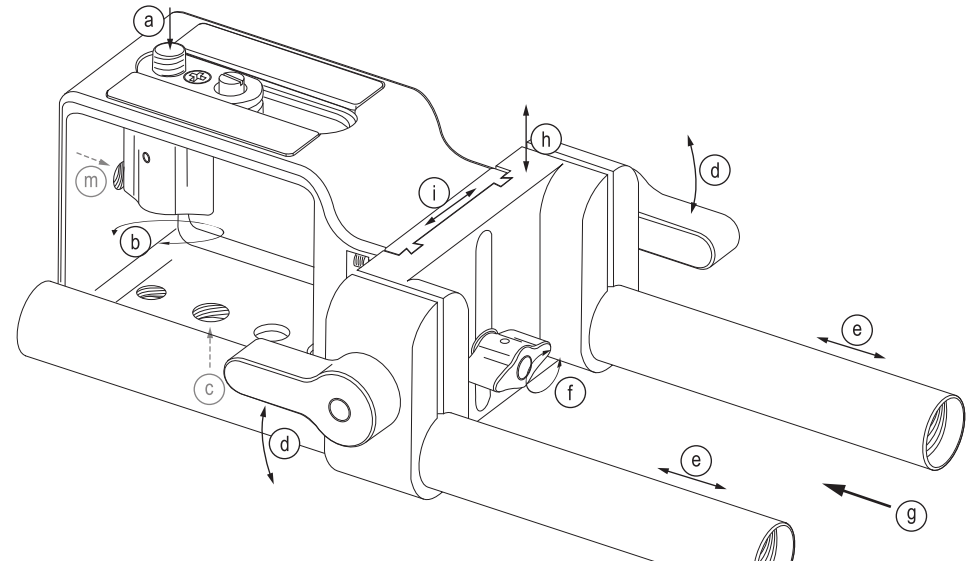


## The GMB/DSLR dslr adaptor bars system

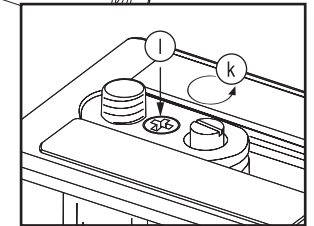


- |                               |                                 |
|-------------------------------|---------------------------------|
| 1 Camera Plate Body           | 6 Camera Mount Screw Plate      |
| 2 Horizontal Adjustment Brace | 7 Locating Pin                  |
| 3 Vertical Adjustment Brace   | 8 Camera Plate Mount Screw Knob |
| 4 Adjustment Brace Knob Screw | 9 Adaptor Plate Screw Holes     |
| 5 Support Bars                | 10 Support Bar Knob             |

## Instructions



*Inset Picture 1*



*Inset Picture 2*

- 1 Align your camera mount thread hole to the *camera mount screw plate* (a) and fasten securely by tightening the *camera plate mount screw knob* (b).
- 2 Secure your tripod to the GMB/DSLR by means of the *adaptor plate screw holes* (c).
- 3 Loosen the *support bar knobs* (d) and slide out the *support bars* to the maximum extension length (e) then tighten the *support bar knobs* to hold the bars in place.
- 4 Loosen the *adjustment brace knob screw* (f). Slide your mattebox onto the *support bars* (g).
- 5 Align your camera lens to the matte box by maneuvering the *vertical* (h) and *horizontal* (i) *adjustment braces*. Once fully aligned, lock off the *adjustment brace knob screw* (f).

*Inset Picture 1:* Further adjustments can be made by removing the *adjustment brace knob screw* (f) completely and disassembling the *horizontal* and *vertical adjustment braces*. You will see two horizontal grooves with sliding nuts at the front of the *camera plate body*. Precise alignment can be made by threading the *adjustment brace knob screw* through the *horizontal* and *vertical adjustment brace* at the desired position (j), making sure to tighten the *brace knob screw* into the sliding nuts. The *vertical adjustment brace* can also be flipped around 180° to give extra height to the bars.

*Inset Picture 2:* The *locating pin* (k) can be unscrewed to accommodate certain DV and stills cameras. Alternatively, the *camera mount screw plate* can be turned around by undoing the cross-head screw (l).

*Optional:* The extra threaded hole at the back of the GMB/DSLR can be used to attach extra accessories, such as mount arms (m).